

Rockfon[®] Planar[®] Macro and Planar[®] Macroplus[®]

Features & Benefits

- Square edge linear panel system, open reveal with optional filler strip (Planar Macro) or integral filler strip (Planar Macroplus)
- Create linear designs for interior or exterior spaces
- Curvilinear designs for interior spaces possible with carrier option
- Visual design continuity from exterior to interior
- Easily incorporates lighting, air, audio and other services

Applications

- Airports
- Entrances
- Transit Facilities
- Retail
- Conference Centers
- Lobbies



Project – National Cowboy and Western Museum
Product – 6" Planar[®] Macro[®]

Rockfon® Planar® Macro and Planar® Macroplus®

LEED® v4.1 Highlights

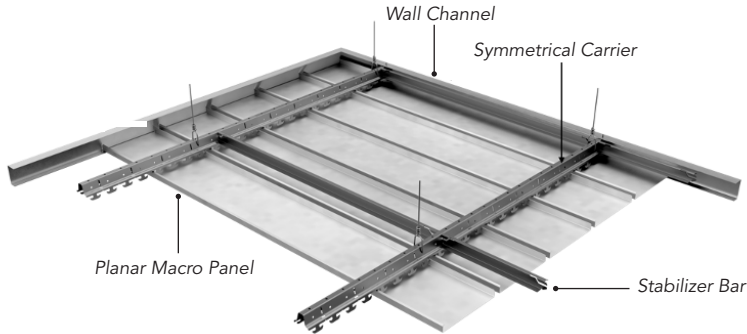
Materials and Resources (MR)

- Waste Management Planning ✓
- Interiors Life Cycle Impact Reduction ✓
- Environmental Product Declarations ✓
- Sourcing of Raw Materials ✓
- Material Ingredients -
- Waste Management ✓

Indoor Environmental Quality (EQ)

- Low-Emitting Materials ✓
- Interior Lighting -
- Acoustic Performance ✓

Recycled Content: 85% Aluminum
30% Steel



| Family Number & Name | Panel Profile | Dimensions | Perforations (% Open Area) | Material | NRC | Fire Class | Low VOC |
|--|---------------|-------------|---|-------------------|-----------|------------|---------|
| Planar Macro Panels 252567:PLAN | | Height 7/8" | Solid: 0% T: 7.6% Open AL: 15% Open | 0.032 Aluminum | Up to .95 | A | Yes |
| | | 2" | | | | | |
| | | 4" | | | | | |
| | | 6" | | | | | |
| Planar Macroplus Panels (MPS) 252567:PLAN | | 4" | | | | | |
| | | 6" | | | | | |
| | | 8" | | | | | |

Product Code Example:

252567:PLAN:MPS:8":44:AL:Y

| | | | |
|------------------------|-----------|--------------|-----------------------------|
| Family Number | Width | Finish | Perforation |
| 252567:PLAN:MPS | 8" | 44 | AL:Y |
| Planar Macro Plus | | Satin Silver | Perforation AL with Acoutex |

Standard panel length on 2" panels is 10 ft. Standard panel length on 4", 6", and 8" panels is 12'.

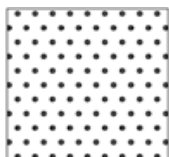
Special panels lengths available from 2' to 16' on 4", 6", and 8" panels.

* Integral filler will match the finish of the panel face. Can be ordered with a contrasting black filler (interior use only).

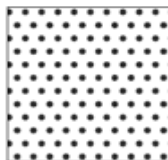
Acoutex backer is standard on perforated panels. Perforated panels can be ordered without Acoutex backer.

2" Macro panels must be installed on the Symmetrical Carrier.

Available Perforations



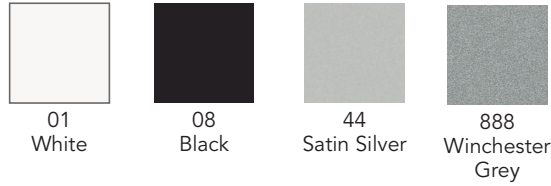
T
62R216S
0.0625" Diameter holes
0.216" Staggered centers
7.6% Open area



AL
78R196S
0.078" Diameter holes
0.196" Staggered centers
15% Open area

Planar® Macro and Planar® Macroplus® Color Chart

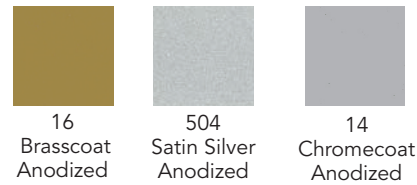
Standard Colors:



Premium Colors:



Metallic Colors:



Metalwood® Woodgrain Finishes[□]:



Woodscenes® Painted Finishes[†]:



* Coordinating solid color to match Metalwood Woodgrain Finishes.

** Metalwood Woodgrain Finishes unavailable on Infinity products; use coordinating solid finish. See footnote*.

□ Metalwood Woodgrain Finishes are a 0.008" vinyl laminate that replicate real wood; variations in color and pattern will occur.

For final panel thickness information contact Rockfon Technical Services at 1-800-323-7164 or techservices@rockfon.com. For interior use only.

† Woodscenes Woodgrain Finishes are a decorative powder coat finish that replicate real wood; variations in color and pattern will occur.

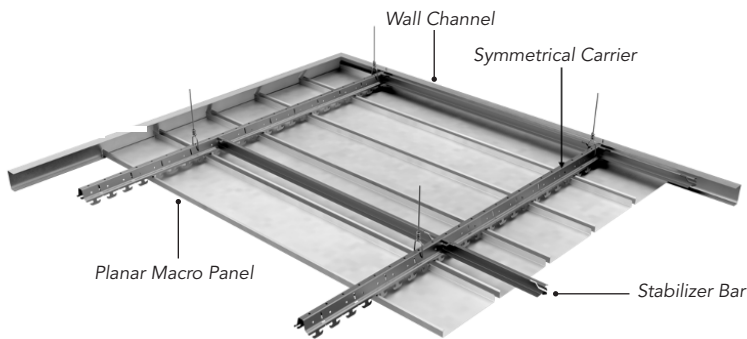
Note:

- Metalwood Woodgrain Finishes and Woodscenes Woodgrain Finishes are applied parallel to the length of the panel.


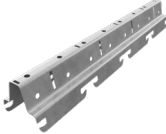


- See rockfon.com for more information on color options.

Colors shown are reproduced as close as possible to actual product color within the limitations of printing technology. Color chips are available upon request and should be reviewed before making a final selection. Variations in color matches of system components to ceiling panels can result from slight differences in texture, room lighting, painting process and subjectivity of observers.

Rockfon® Planar® Macro and Planar® Macroplus® Suspension Components



Suspension Components

| | Description | Catalog Number | Rockfon Material Number | Material | Packaging | | | |
|---|------------------------------------|----------------|-------------------------|---------------|-----------|-----|-------------------|--------|
| | | | | | Length | LFT | Pieces per Carton | Weight |
|  | Symmetrical Carrier | 58.01.007.008 | 249657 | .040 Aluminum | 12' | 240 | 20 | 47 |
| | Factory Curved Symmetrical Carrier | per order | 252585 | .040 Aluminum | 12' | 240 | 20 | 47 |
|  | Expansion Carrier | 58.01.022.008 | 249659 | .040 Aluminum | 12' | 240 | 20 | 47 |
|  | T-Bar Carrier for 4" & 8" Panels | 1500.08C | 249892 | Steel | 12' | 144 | 12 | 23 |
| | T-Bar Carrier for 6" Panels | 1501.08C | 250268 | Steel | 12' | 144 | 12 | 23 |
|  | Flat Carrier for 6" Panels | 58.01.005.008 | 249656 | .040 Aluminum | 10' | 200 | 20 | 40 |
| | Flat Carrier for 4" and 8" Panels | 58.01.008.008 | 259049 | .040 Aluminum | 10' | 200 | 20 | 40 |

Sold in full carton quantities.

Symmetrical Carrier is required for all exterior applications.




For Factory Curved Radius Symmetrical Carrier, specify radius at time of order. Concave curving only.

T-Bar carrier should not be used for exterior areas, or in Seismic Design Categories D,E,F.

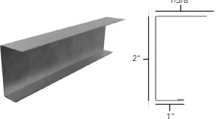
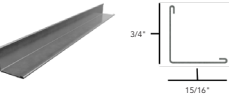
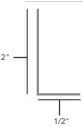
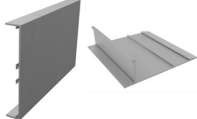
Flat Radius Carrier is for interior use only.

Rockfon® Planar® Macro and Planar® Macroplus® Accessories

Suspension Accessories

| | Description | Catalog Number | Rockfon Material Number | Material | Packaging | | |
|---|----------------------------|----------------|-------------------------|----------|-----------|-------------------|--------|
| | | | | | Length | Pieces per Carton | Weight |
|  | Symmetrical Carrier Splice | 58.01.403.008 | 249665 | Aluminum | N/A | 50 | 4 |
|  | 4' Cross Tee | 1503.08C | 249893 | Steel | 4' | 50 | 38 |
|  | Stabilizer Bars | | | | | | |
| | Interior 50" | 58.01.028.008 | 249660 | Aluminum | 49-13/16" | 50 | 33 |
| | Exterior 36" | 58.01.029.008 | 249662 | | 35-13/16" | 50 | 26 |
| | Exterior 24" | 58.01.027.008 | 249661 | | 23-13/16" | 50 | 21 |

Perimeter Components

| | Description | Catalog Number | Rockfon Material Number | Material | Packaging | | |
|---|---------------------------|----------------|-------------------------|----------|-----------|-------------------|-----------|
| | | | | | Length | Pieces per Carton | Weight |
|  | Planar Macro Wall Channel | 58.03.717.xxx | Varies | Aluminum | 10' | Per Order | 1.2 |
|  | Aluminum Wall Angle | 38.90.124.xxx | Varies | Aluminum | 12' | 25 | 25 |
|  | Flex Angle Bare | 38.35.995.000 | 250477 | Aluminum | 10' | Per Order | 1.25 |
|  | Infinity | Varies | 252565 | Aluminum | Per Order | Per Order | Per Order |

For exterior areas, Wall Channel should be used for the perimeter and to frame fixture areas.

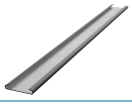


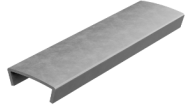
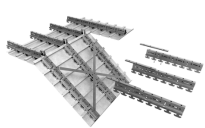


Infinity should be used for interior spaces only.

T-Bar Carrier cannot be used with 2" Planar Macro.

Rockfon® Planar® Macro and Planar® Macroplus®

Accessories


Planar Macro and Macroplus Accessory Items

| | Description | Catalog Number | Rockfon Material Number | Material | Packaging | |
|---|---------------------------------|----------------|-------------------------|---------------|-------------------|--------|
| | | | | | Pieces per Carton | Weight |
|  | Filler Strips | | | | | |
| | Recessed Filler 12' | 58.01.009.xxx | 252570 | Aluminum | 20 | 15 |
| | Expansion Filler 12' | 58.01.011.xxx | 252570 | Aluminum | 20 | 15 |
|  | Panel Splices | | | | | |
| | 2" Panels | 58.03.520.xxx | 252600 | Aluminum | 100 | 10 |
| | 4" Panels | 58.03.525.xxx | 252600 | Aluminum | 100 | 14 |
| | 6" Panels | 58.03.530.xxx | 252600 | Aluminum | 100 | 15 |
| | 8" Panels | 58.03.535.xxx | 252600 | Aluminum | 100 | 19 |
|  | End Caps | | | | | |
| | 2" Panels | 58.03.620.xxx | 252598 | Aluminum | 100 | 2 |
| | 4" Panels | 58.03.625.xxx | 252598 | Aluminum | 100 | 3 |
| | 6" Panels | 58.03.630.xxx | 252598 | Aluminum | 100 | 5 |
| | 8" Panels | 58.03.635.xxx | 252598 | Aluminum | 100 | 8 |
|  | Retention Clips | | | | | |
| | For panels with open reveal | 58.01.318.000 | 250523 | Clear Plastic | 500 | 4 |
| | For panels with integral filler | 58.01.317.000 | 250522 | Clear Plastic | 500 | 4 |
|  | Access Door Kits* | | | | | |
| | Interior | 58.01.058 | 249663 | Varies | 1 | 1 |
| | Exterior | 58.01.059 | 249664 | | 1 | 1 |
|  | Infinity Attachment Clip | 448.9xxx | 252596 | Steel | 1 | 1 |
|  | Planar to Infinity Clip | 448.940 | 252596 | Steel | 1 | 1 |

*Includes hardware for field construction of access doors.

Rockfon® Planar® Macro and Planar® Macroplus® Accessories

Acoustical Insulation Blankets

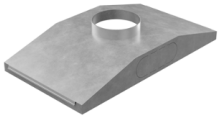
| | Description | Catalog Number | Rockfon Material Number | Dimensions | | |
|---|--|----------------|-------------------------|------------|-------|---------|
| | | | | Length | Width | Sq. Ft. |
|  | 48" Acoustical Blanket 1" x 1# Black | 58.01.103.008 | 250515 | 100' | 4' | 400 |
| | 48" Acoustical Blanket 1" x 1-1/2# Black | 58.01.060.008 | 250506 | 100' | 4' | 400 |
| | 48" Acoustical Blanket 1-1/2" x 1# Black | 58.01.104.008 | 250516 | 100' | 4' | 400 |
| | 48" Acoustical Blanket 1-1/2" x 1-1/2# Black | 58.01.102.008 | 250514 | 100' | 4' | 400 |

Acoustical Performance

| Panel Type | Reveal | Acoustical Insulation | NRC |
|------------------|--------|------------------------|------|
| Perforated Panel | Closed | Acoutex | 0.70 |
| Perforated Panel | Closed | 1" x 1# Insulation | 0.75 |
| Perforated Panel | Closed | 1" x 1.5# Insulation | 0.80 |
| Perforated Panel | Closed | 1.5" x 1.5# Insulation | 0.95 |

For a closed reveal, panels with an integral filler or open reveal panels with a separate filler strip are used.

Air Diffusers

| | Description | Catalog Number | Rockfon Material Number | Packaging | |
|---|---|----------------|-------------------------|-------------------|--------|
| | | | | Pieces per Carton | Weight |
|  | Air Diffuser - 2 Slot Unit, 8" Collar, 9" Width | 58.01.072 | 250510 | 1 | 10 |
| | Air Diffuser - 4 Slot Unit, 10" Collar, 17" Width | 58.01.074 | 250511 | 1 | 13 |
| | Air Diffuser - 6 Slot Unit, 12" Collar, 25" Width | 58.01.076 | 250512 | 1 | 16 |
| | Air Diffuser - 8 Slot Unit, 14" Collar, 33" Width | 58.01.078 | 250513 | 1 | 20 |
| | Round Edge Planar Pattern Control | 58.01.108 | 250519 | 1 | 1 |
| | Square Edge Planar Pattern Control | 58.01.107 | 250518 | 1 | 1 |

Extended lead times apply - Order diffusers prior to panel order.

Air diffusers are designed to install as tailored components of the Planar and Planar Macro Linear Metal Systems.

Number of slots based on 4" panel.

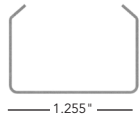
Air diffusers are compatible with Symmetrical Carrier only.

One pattern control is needed for each slot opening on air supply units.

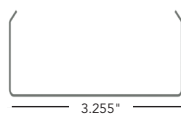
Standard collars are top-mounted; oval, side inlet collars are special order.

Rockfon® Planar® Macro and Planar® Macroplus® Installation Details

Open Reveal Panels



2" Planar Macro



4" Planar Macro



6" Planar Macro

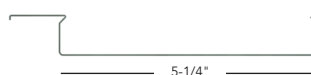


8" Planar Macro

Planar Macro Plus - Closed Reveal Panels



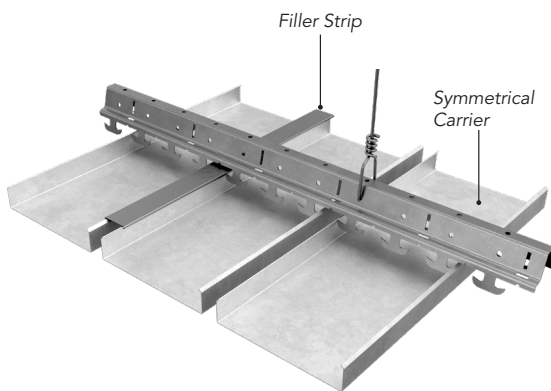
4" Macroplus



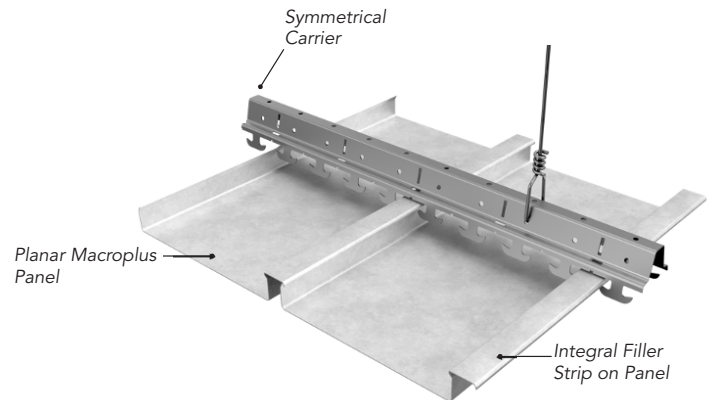
6" Macroplus



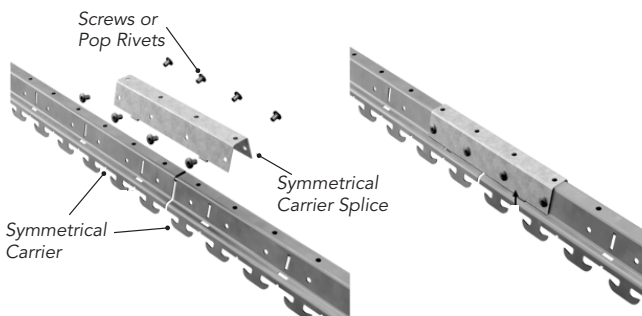
8" Macroplus



Planar Macro Open Reveal Installation

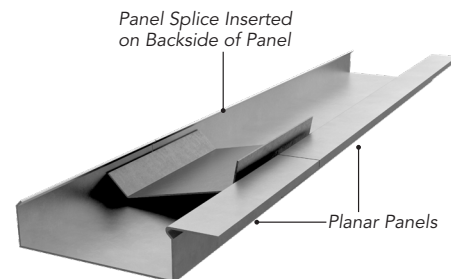


Planar Macroplus Installation



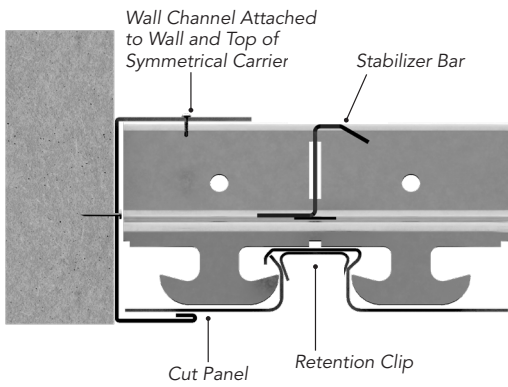
Splicing Symmetrical Carriers

Finished Splice

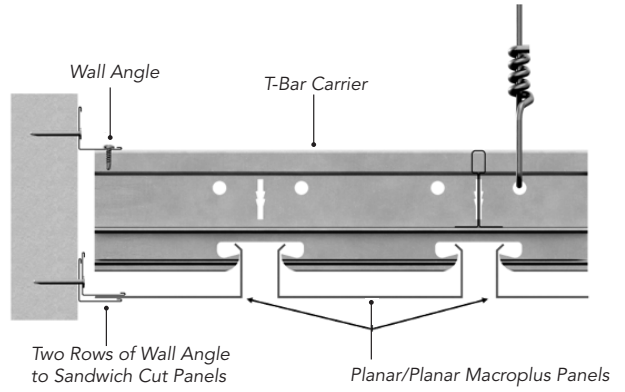


Installation of Panel Splices

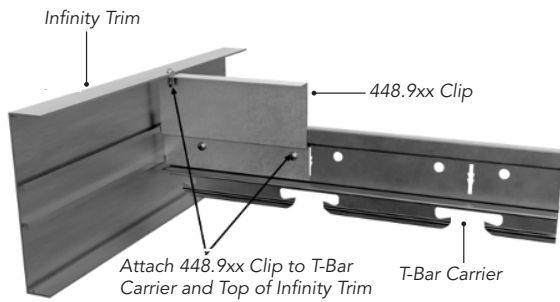
Rockfon® Planar® Macro and Planar® Macroplus® Installation Details



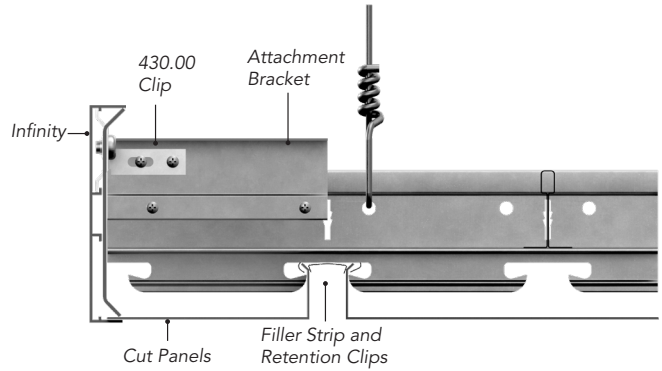
Perimeter Detail Using Channel



Securing Panels at Perimeter with Wall Angle

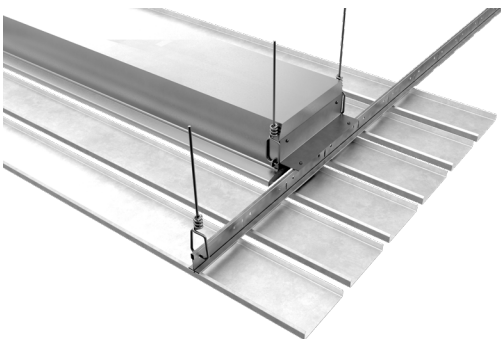


Attaching Infinity to T-Bar Carrier

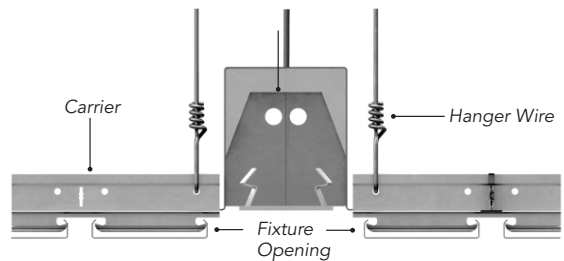


Floating Perimeter with Infinity

Fixture Integration



Planar Diffuser Installation



Light Fixture Integration



Rockfon® Planar® Macro and Planar® Macroplus®

Material

0.032" Aluminum



Fire Performance

Surface burning characteristics:
UL723 (ASTM E84) Flame Spread Index: 0
Smoke Developed Index: 0



Environment

85% recycled content
100% locally recyclable



Warranty

1-Year Limited Product Warranty
See rockfon.com



Hygiene

Metal provides no sustenance
to microorganisms



Cleaning

Damp cloth

070822

Rockfon

4849 S. Austin Ave.
Chicago, IL 60638 USA

2022 | Subject to alterations in range and product technology
without prior notice. Rockfon accepts no responsibility for printing errors.
© ROCKWOOL International A/S 2018. All rights reserved.
® denotes a trademark that is registered in the United States of America.

Tel. +1-800-323-7164
cs@rockfon.com
rockfon.com